



Document Number	Issue Date	Rev. Date
<b>SPL83491</b>	<b>4/15/15</b>	<b>6/7/16</b>

## Model TPA Power Take-Off Service Parts List

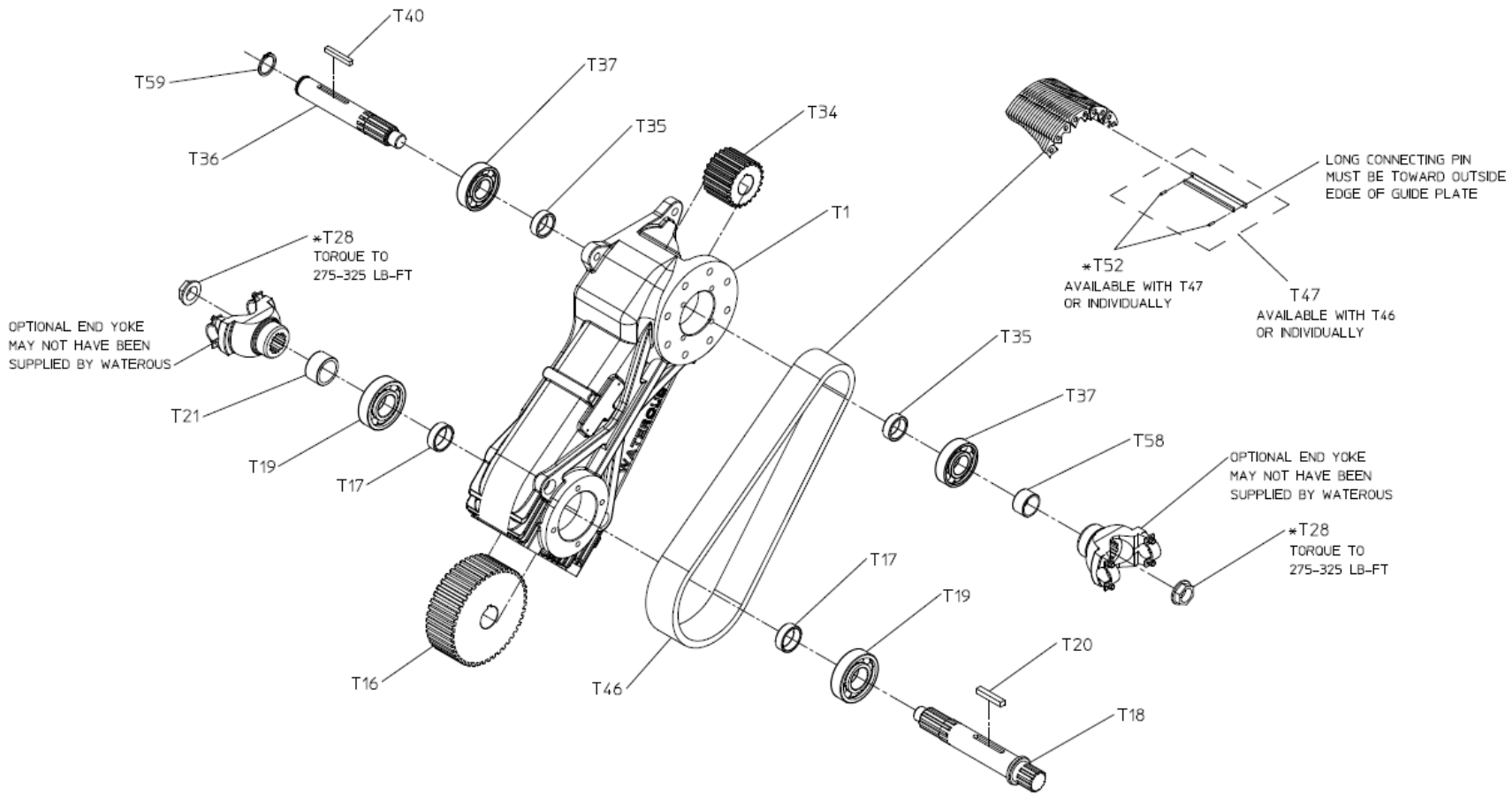
<b>Output Shaft</b>	<b>Components</b>	<b>See Page</b>
Rear (Opposite Side of Input Shaft)	Internal Components	2, 3
	External Components	4, 5
Front (Same Side as Input Shaft)	Internal Components	6, 7
	External Components	8, 9

**Note: When ordering repair parts, please provide P.T.O. series number.**

## Driveline and Internal Components Rear Output Shaft

REF. NO.	DESCRIPTION
T1	Case
T16	Drive sprocket
T17	Drive shaft spacer
T18	Drive shaft
T19	Ball bearing, single row
T20	Square key, 3/8 x 3/8 x 2-1/4 in.
T21	Oil seal sleeve
T28	Shaft nut
T34	Driven sprocket

REF. NO.	DESCRIPTION
T35	Driven shaft spacer
T36	Driven shaft
T37	Ball bearing, single row
T40	Square key, 5/16 x 5/16 x 2-5/16 in.
T46	Drive chain
T47	Connecting pin set
T52	Spirol pin, heavy, 1/16 x 1/4 or 1/16 x 5/16 in.
T58	Oil seal sleeve
T59	Retaining ring



OPTIONAL END YOKE  
MAY NOT HAVE BEEN  
SUPPLIED BY WATEROUS

\*T28  
TORQUE TO  
275-325 LB-FT

\*T52  
AVAILABLE WITH T47  
OR INDIVIDUALLY

LONG CONNECTING PIN  
MUST BE TOWARD OUTSIDE  
EDGE OF GUIDE PLATE

T47  
AVAILABLE WITH T46  
OR INDIVIDUALLY

OPTIONAL END YOKE  
MAY NOT HAVE BEEN  
SUPPLIED BY WATEROUS

\*T28  
TORQUE TO  
275-325 LB-FT

T53 GASKET AND SHIM KIT

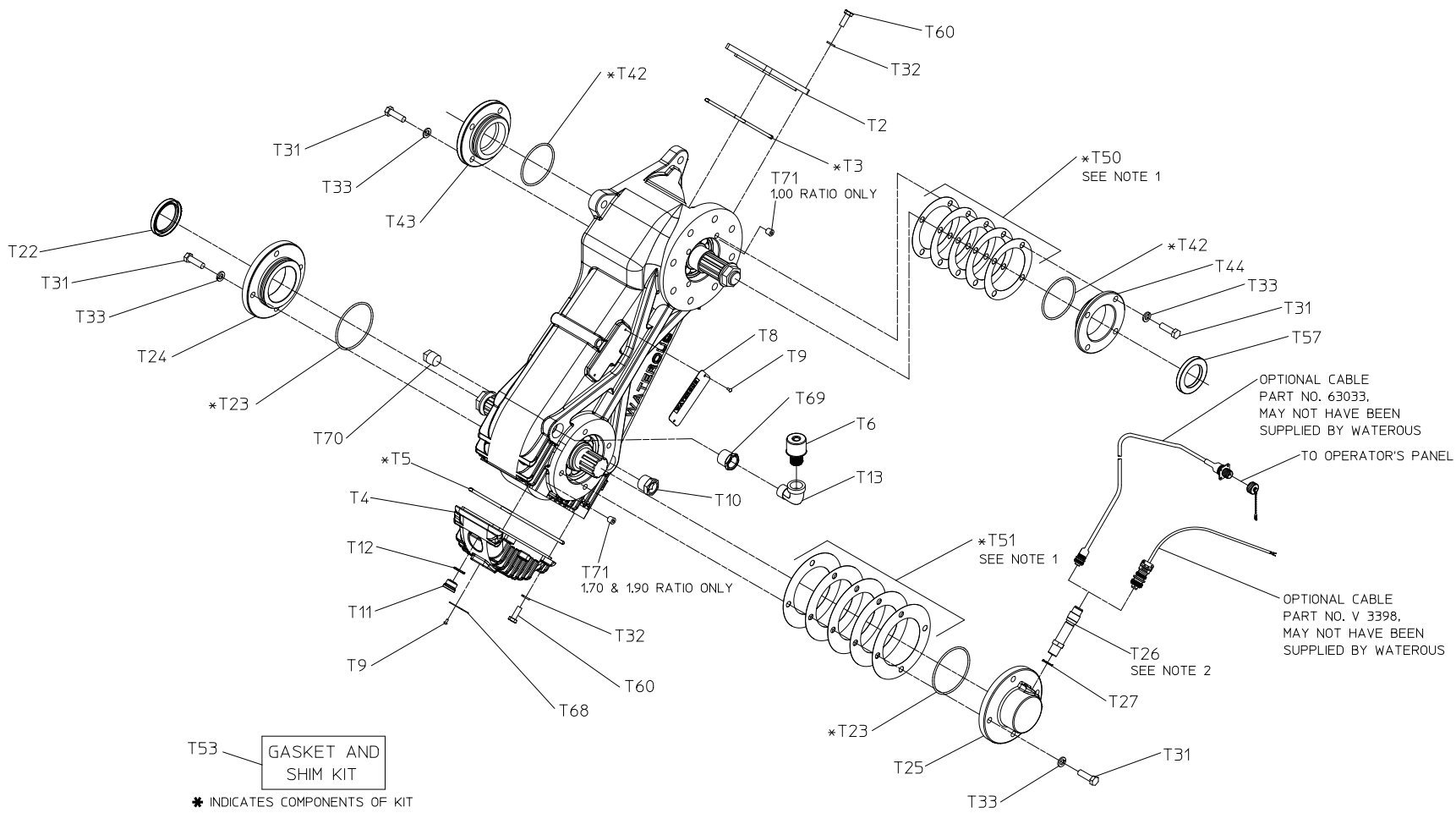
\* INDICATES COMPONENTS OF KIT

**REAR FACING OUTPUT SHAFT**  
INTERNAL COMPONENTS

## Case and External Components Rear Output Shaft

REF. NO.	DESCRIPTION
T2	Top cover
T3	O-ring, 4-5/8 x 5
T4	Case bottom assembly
T5	O-ring, 7 x 7-3/8
T6	Breather, 1/2 NPT
T8	Serial plate
T9	Rnd hd drive screw, no. 6 x 1/4 in.
T10	Sight plug
T11	Drain plug
T12	Plug seal
T13	Street elbow, 90°, 1/2 in.
T22	Oil seal, 2 x 2-5/8 in.
T23	O-ring, 3-1/4 x 3-1/2 in.
T24	Oil seal housing
T25	Tachometer housing
T26	Magnetic pickup
T27	O-ring, 5/8 x 3/4 in.

REF. NO.	DESCRIPTION
T30	Hex hd screw, 5/16-18 x 1 in.
T31	Hex hd screw, 3/8-16 x 1-1/4 in.
T32	Lockwasher, 5/16 in.
T33	Lockwasher, 3/8 in.
T42	O-ring, 2-7/8 x 3-1/8 in.
T43	Oil seal housing
T44	Oil seal housing
T50	Driven shaft shim, 0.005 and 0.010 in. thick
T51	Drive shaft shim, 0.005 and 0.010 in. thick
T53	Gasket and shim repair kit
T57	Oil seal, 1-5/8 x 2-5/8 in.
T60	Hex hd screw, 5/16-18 x 7/8 in.
T68	Oil Level Plate
T69	Reducing Bushing, 3/4 NPT x 1/2 NPT
T70	Pipe Plug, 1/2 NPT
T71	Pipe Plug, 1/8 NPT



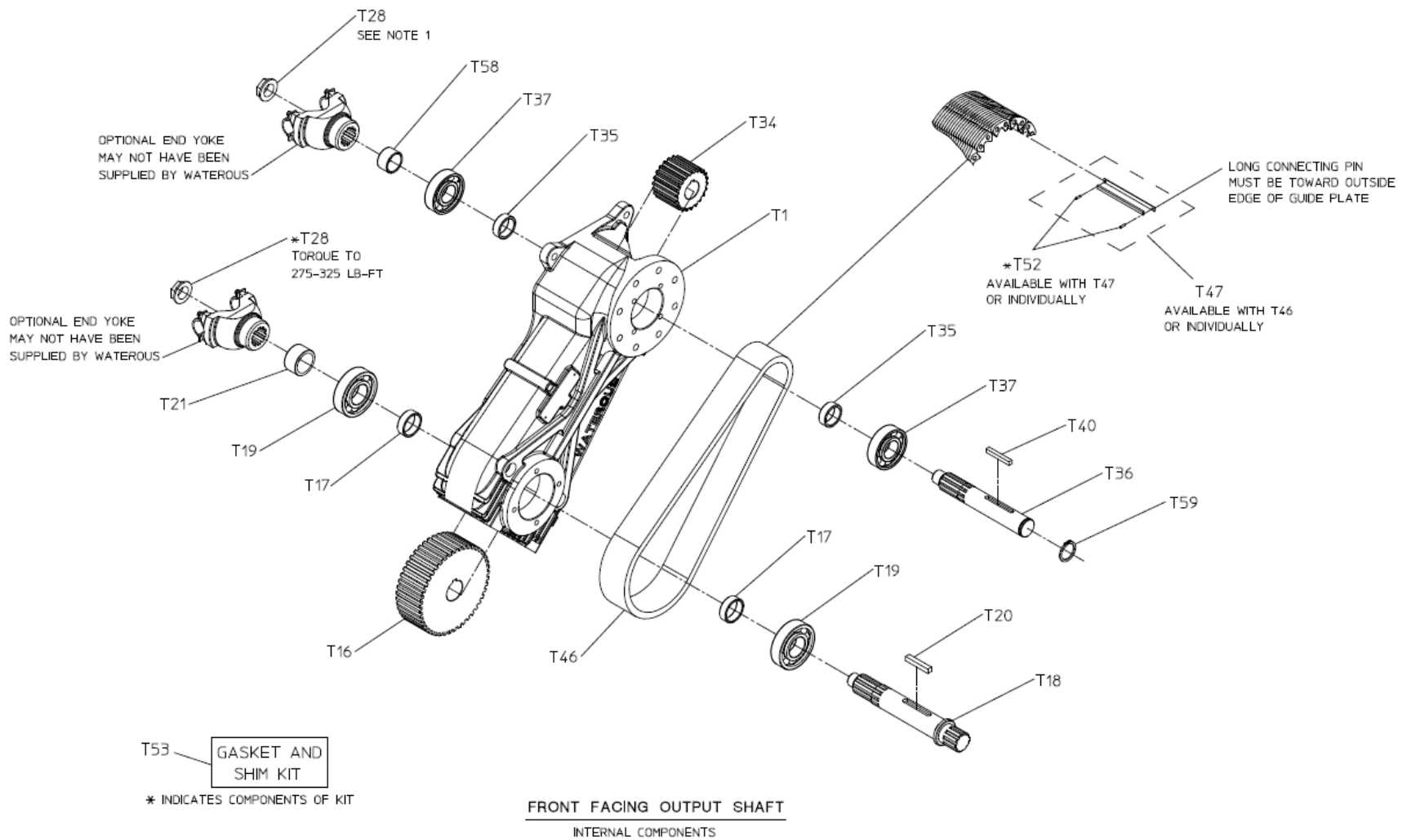
**REAR FACING OUTPUT SHAFT**  
EXTERNAL COMPONENTS

- NOTES:
1. SHIM SO THAT SHAFT IS LIMITED TO .005-.010 AXIAL FLOAT
  2. THREAD INTO HOUSING UNTIL CONTACT WITH PULSE GENERATOR IS MADE, BACK OFF 1/2 TURN AND TIGHTEN NUT. (TACHOMETER PICKUP TO FACE UP WITH 1.00 RATIO)

## Driveline and Internal Components Front Output Shaft

REF. NO.	DESCRIPTION
T1	Case
T16	Drive sprocket
T17	Drive shaft spacer
T18	Drive shaft
T19	Ball bearing, single row
T20	Square key, 3/8 x 3/8 x 2-1/4 in.
T21	Oil seal sleeve
T28	Shaft nut
T34	Driven sprocket

REF. NO.	DESCRIPTION
T35	Driven shaft spacer
T36	Driven shaft
T37	Ball bearing, single row
T40	Square key, 5/16 x 5/16 x 2-5/16 in.
T46	Drive chain
T47	Connecting pin set
T52	Spirol pin, heavy, 1/16 in.
T58	Oil seal sleeve
T59	Retaining ring

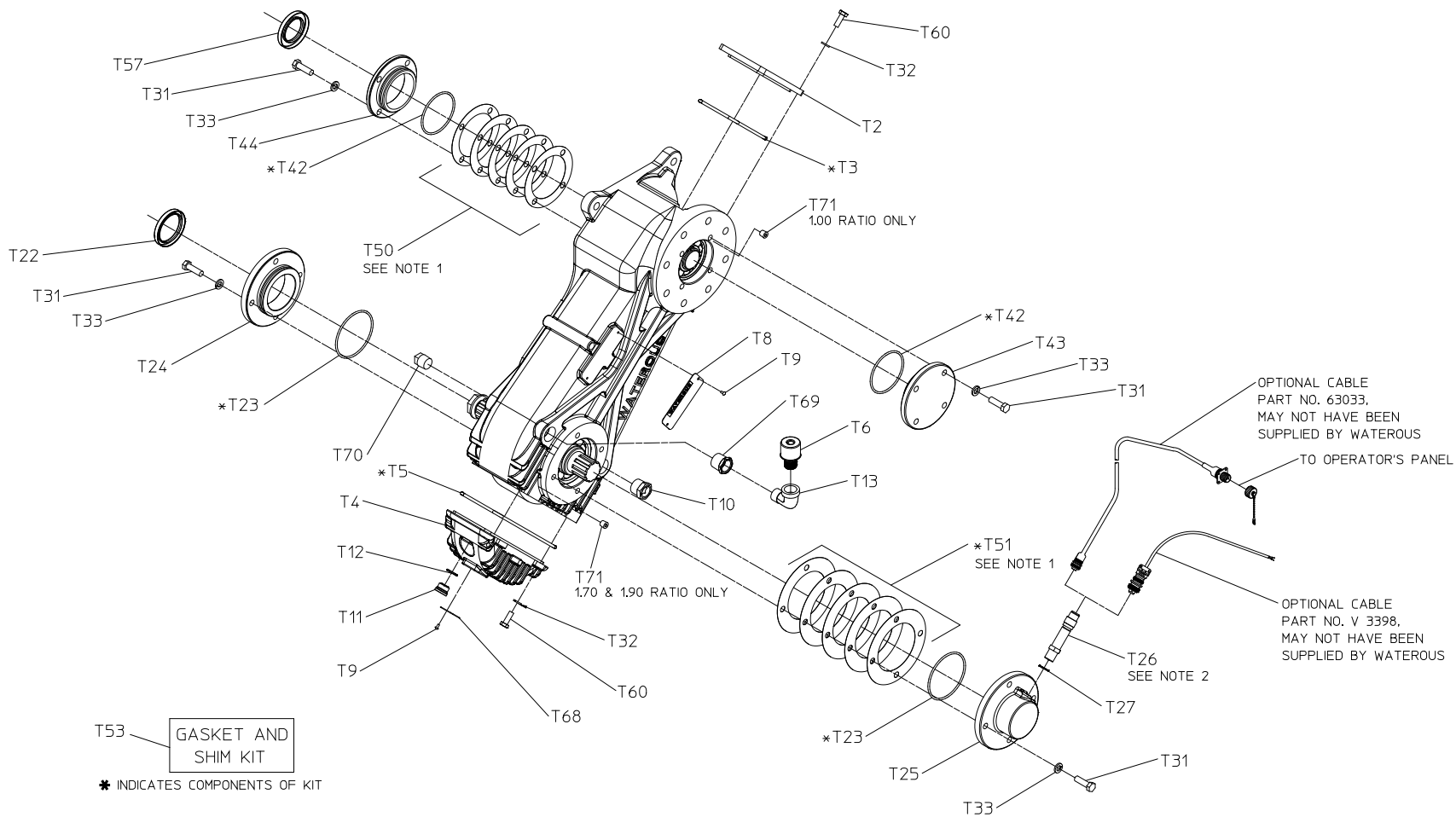


## Case and External Components Front Output Shaft

REF. NO.	DESCRIPTION
T2	Top cover
T3	O-ring, 4-5/8 x 5
T4	Case bottom assembly
T5	O-ring, 7 x 7-3/8
T6	Breather, 1/2 NPT
T8	Serial plate
T9	Rnd hd drive screw, no. 6 x 1/4 in.
T10	Sight plug
T11	Drain plug
T12	Plug seal
T13	Street elbow, 90°, 1/2 in.
T22	Oil seal, 2 x 2-5/8 in.
T23	O-ring, 3-1/4 x 3-1/2 in.
T24	Oil seal housing
T25	Tachometer housing
T26	Magnetic pickup

REF. NO.	DESCRIPTION
T27	O-ring, 5/8 x 3/4 in.
T30	Hex hd screw, 5/16-18 x 1 in.
T31	Hex hd screw, 3/8-16 x 1-1/4 in.
T32	Lockwasher, 5/16 in.
T33	Lockwasher, 3/8 in.
T42	O-ring, 2-7/8 x 3-1/8 in.
T43	Oil seal housing
T44	Oil seal housing
T50	Driven shaft shim, 0.005 and 0.010 in. thick
T51	Drive shaft shim, 0.005 and 0.010 in. thick
T53	Gasket and shim repair kit
T57	Oil seal, 1-5/8 x 2-5/8 in.
T60	Hex hd screw, 5/16-18 x 7/8 in.
T68	Oil Level Plate
T69	Reducing Bushing, 3/4 NPT x 1/2 NPT
T70	Pipe Plug, 1/2 NPT
T71	Pipe Plug, 1/8 NPT





**FRONT FACING OUTPUT SHAFT**  
EXTERNAL COMPONENTS

- NOTES:
1. SHIM SO THAT SHAFT IS LIMITED TO .005-.010 AXIAL FLOAT
  2. THREAD INTO HOUSING UNTIL CONTACT WITH PULSE GENERATOR IS MADE, BACK OFF 1/2 TURN AND TIGHTEN NUT. (TACHOMETER PICKUP TO FACE UP WITH 1.00 RATIO)