



Document Number SPL83367	Issue Date 08/16/13	Rev. Date 12/11/17
------------------------------------	-------------------------------	------------------------------

Model TK Power Take-Off Service Parts List

Index:

Item	See Pages
Case Components	2, 3
Optional Suspension Pin Mounting Kit	4, 5
Case Mounting	6, 7

Note: When ordering parts, please supply Pump Serial Number.

Case Components

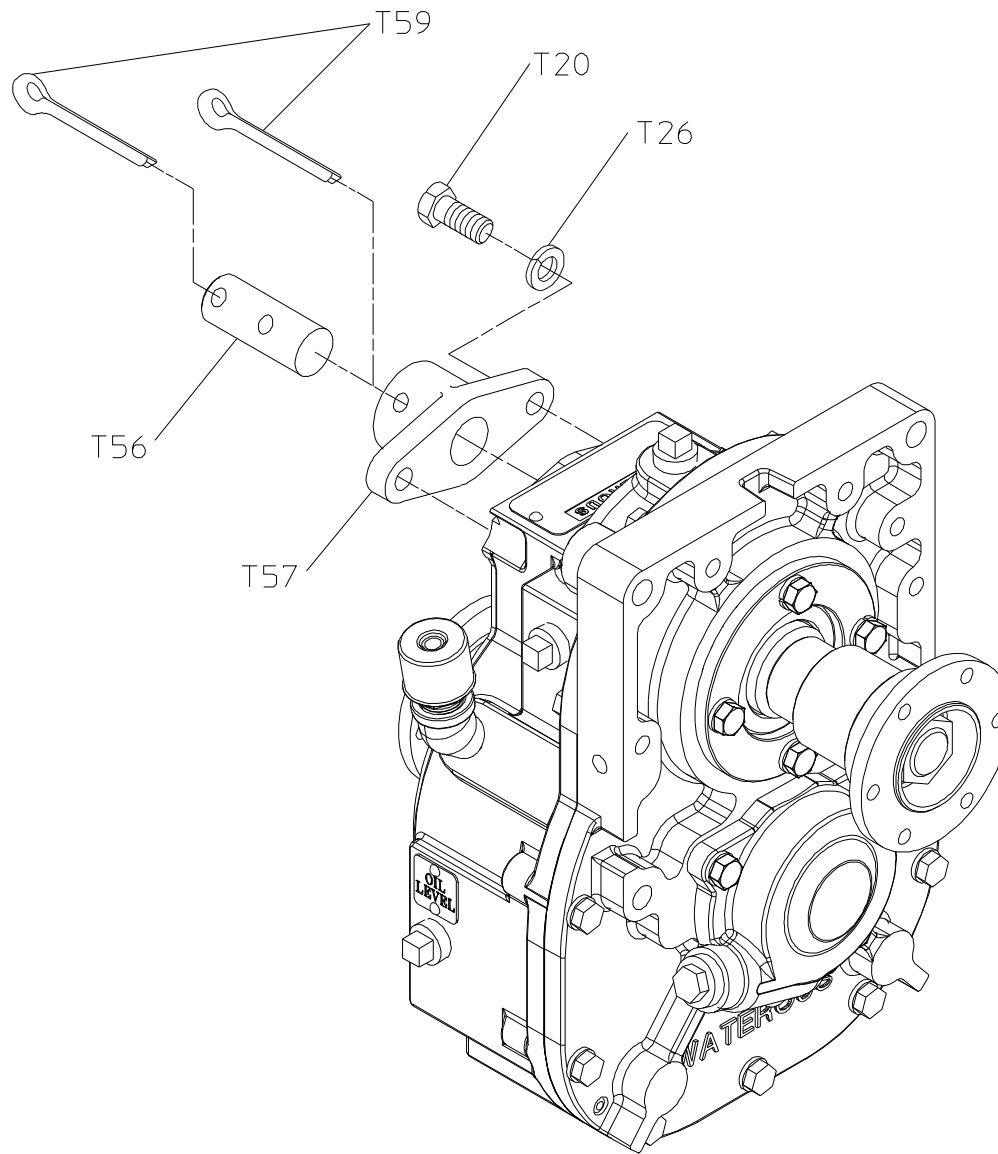
REF NO.	DESCRIPTION
T2	Serial Plate
T3	Driven Gear
T4	Gasket
T8	Gasket
T10	Oil Seal Housing
T11	Drive Shaft
T13	Gear Case Subassembly
T14	Dowel Pin, 3/8 x 1 in.
T15	Drive Gear
T19	Hex Hd Screw, 3/8-16 x 1-1/4 in., Grade 5
T24	Oil Seal, 1-5/8 x 2-7/16
T25	Lock Washer, 3/8 in.
T28	Retaining Ring
T29	Square Key, 3/8 x 1-3/4 in.
T32	Drive Screw, No. 6 x 1/4 in.
T35	Woodruff Key, 1/8 x 3/4 in.
T36	Tachometer Drive Gear
T37	Bearing Spacer
T39	Oil Seal Sleeve
T40	Tachometer Gear Housing Subassembly (Includes T45)

REF NO.	DESCRIPTION
T41	Bearing Lock Nut
T42	Tachometer Plug
T43	Tachometer Driven Gear
T44	Tachometer/Speedometer Sleeve
T45	Tachometer/Speedometer Bushing
T46	Shaft Nut, 1-20
T47	Bearing Lock Washer
T49	O-ring, 3-1/4 x 3-1/2 in.
T50	Oil Seal, 1-5/8 x 2-3/4 or 1-7/8 x 2-3/4 in.
T51	Retaining Ring
T52	Ball Bearing
T53	Ball Bearing
T54	Ball Bearing
T92	Hex Hd Screw, 3/8-16 x 1 in.
T96	Driven Shaft
T99	Square Key, 5/16 x 1-9/16 in.
T109	Companion Flange

Optional Suspension Pin Mounting Kit

REF NO.	DESCRIPTION
T20	Hex Hd Screw, 7/16-14 x 1-1/4 in., Grade 5
T26	Lock Washer, 7/16 in.
T56	Suspension Pin, 1 x 2-5/8 in.

REF NO.	DESCRIPTION
T57	Suspension Bracket
T59	Cotter Pin, 5/16 x 2-1/2 in.

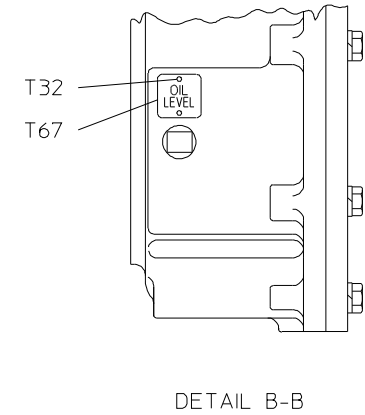
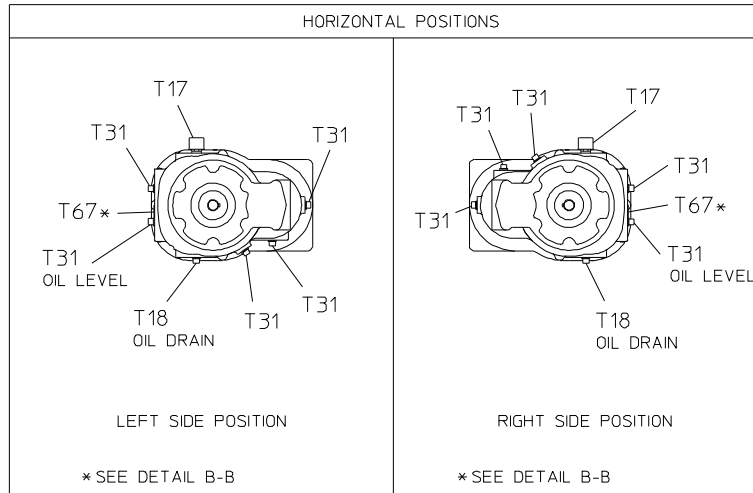
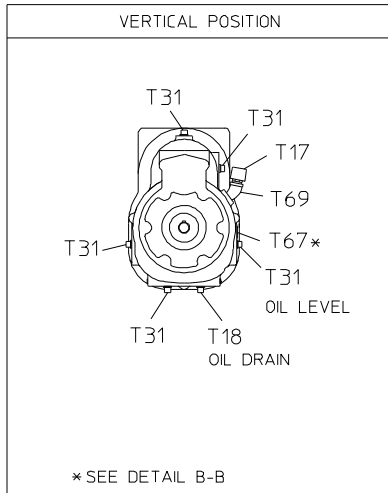


OPTIONAL SUSPENSION PIN MOUNTING KIT

Case Mounting Positions

REF NO.	DESCRIPTION
T17	Breather, 1/2 NPT
T18	Magnetic Drain Plug, 1/2 NPT
T31	Pipe Plug, 1/2 NPT, Steel
T32	Drive Screw, No. 6 x 1/4 in.

REF NO.	DESCRIPTION
T67	Oil Level Plate
T69	Street Elbow, 45° x 1/2 NPT



CASE MOUNTING POSITIONS