

Issued: 06/09/98

Revised: 11/29/17

W A T E R O U S

WATEROUS COMPANY

SOUTH ST. PAUL, MINNESOTA

MEDIUM DUTY KC TRANSMISSION ASSEMBLY

REF NO.	DESCRIPTION	REF NO.	DESCRIPTION
T2	Pump serial plate	T39	Oil seal sleeve
T3	Driven gear	T40	Oil seal housing
T4	Oil seal housing gasket	T41	Bearing lock nut
T8	Case gasket	T46	Shaft nut
T10	Oil seal housing	T47	Washer, 3/4 in.
T13	Gear case subassembly	T48	Cotter pin, 1/8 x 1-3/4 in., SS
T14	Dowel pin, 3/8 x 1 in.	T49	O-ring, 3-1/4 x 3-1/2 in.
T15	Drive gear	T50	Oil seal, 1-5/8 x 2-1/2 in.
T17	Breather, 1/2 NPT	T52	Ball bearing, double row
T18	Magnetic drain plug, 1/2 in.	T53	Ball bearing, single row
T19	Hex hd screw, 3/8-16 x 1-1/4 in., Grade 5	T54	Ball bearing, single row
T20	Hex hd screw, 7/16-14 x 1-1/4 in., Grade 5	T56	Suspension pin, 1 x 2-5/8 in.
T21	Hex hd screw, 1/2-13 x 1-1/2 in., Grade 5	T57	Suspension bracket
T22	Hex hd screw, 1/2-20 x 2-1/2 in., Grade 5	T59	Cotter pin, 5/16 x 2-1/2 in.
T23	Hex nut, 1/2-20	T67	Oil level plate
T24	Oil seal, 1-5/8 x 2-7/16 in.	T69	Street elbow, 45° x 1/2 NPT
T25	Lock washer, 3/8 in.	T80	Cotter pin, 1/8 x 1-1/2 in.
T26	Lock washer, 7/16 in.	T92	Hex hd screw, 3/8-16 x 1 in.
T27	Lock washer, 1/2 in.	T96	Driven shaft
T28	Retaining ring	T99	Rectangle key, 1/8 x 3/16 x 2-7/8 in.
T31	Pipe plug, 1/2 NPT	T111	Input elbow, LH or RH thread
T32	Drive screw, no. 6 x 1/4 in.	T112	Retaining ring
T38	Driven shaft spacer	T113	Rotating union, LH or RH thread
		T116	Socket hd cap screw, 5/16-18 x 2 in.

PLEASE NOTE

WHEN ORDERING PARTS PLEASE SUPPLY PUMP SERIAL NUMBER

SPL82316

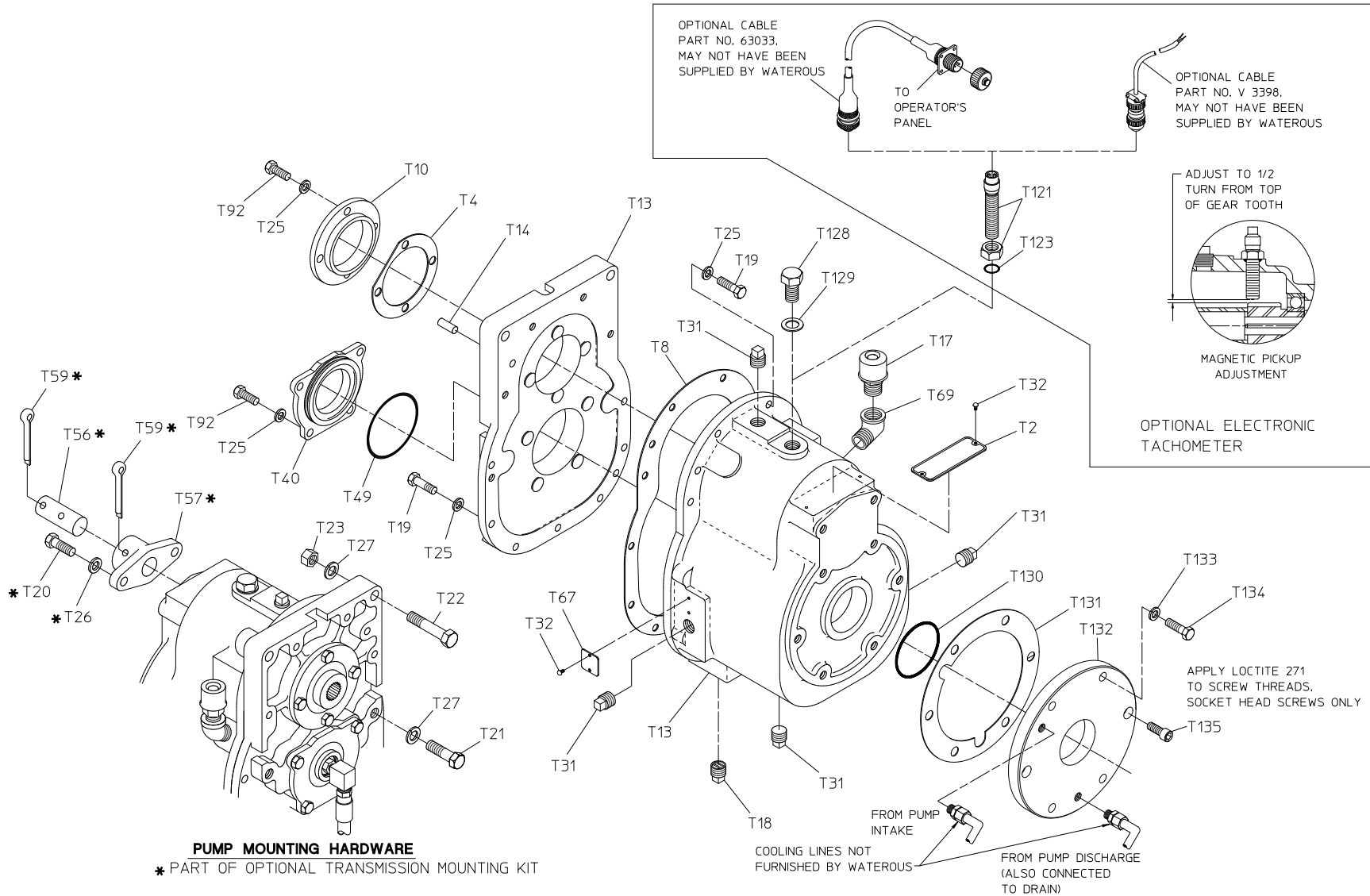
PAGE 1 OF 5

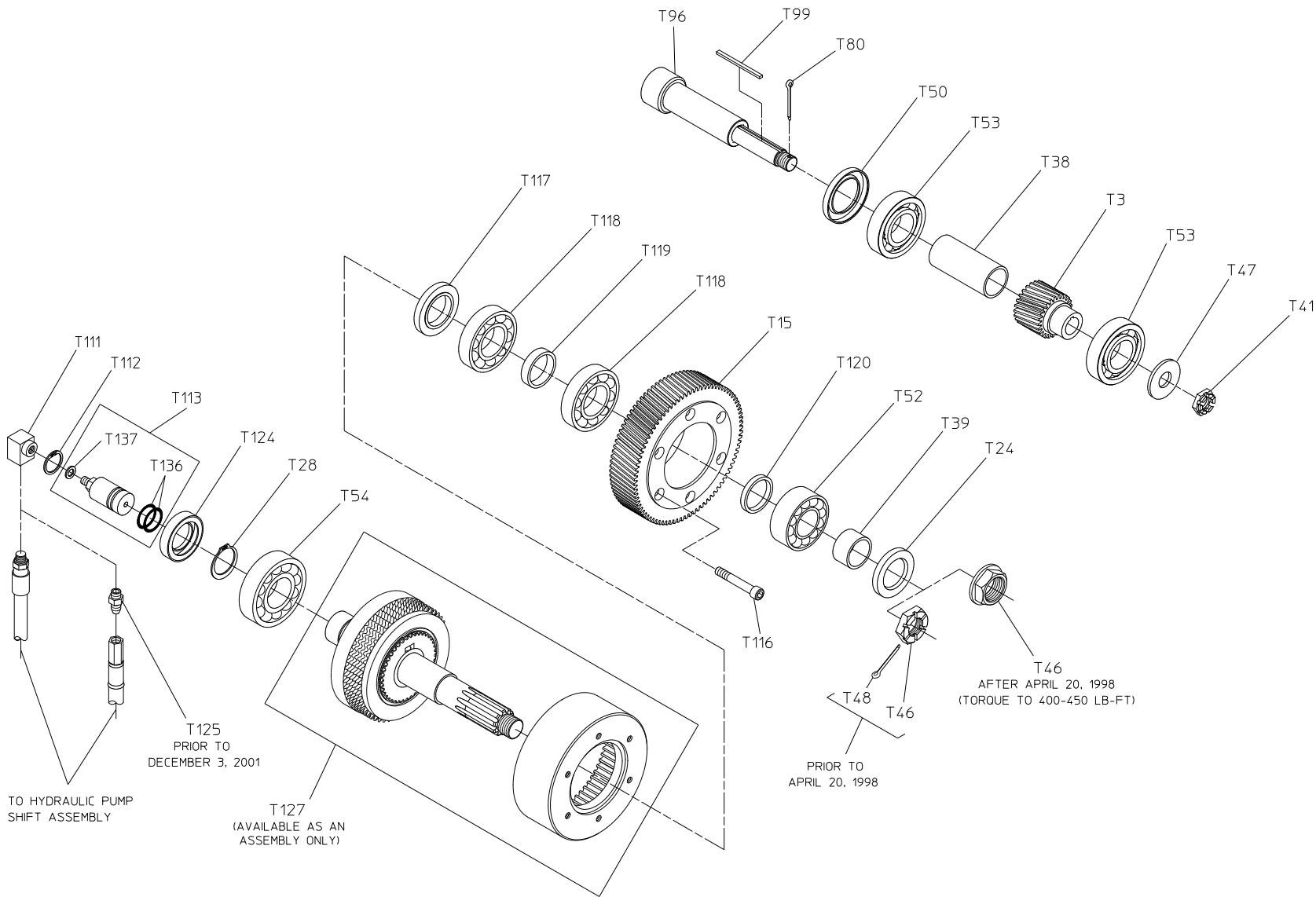
WATEROUS

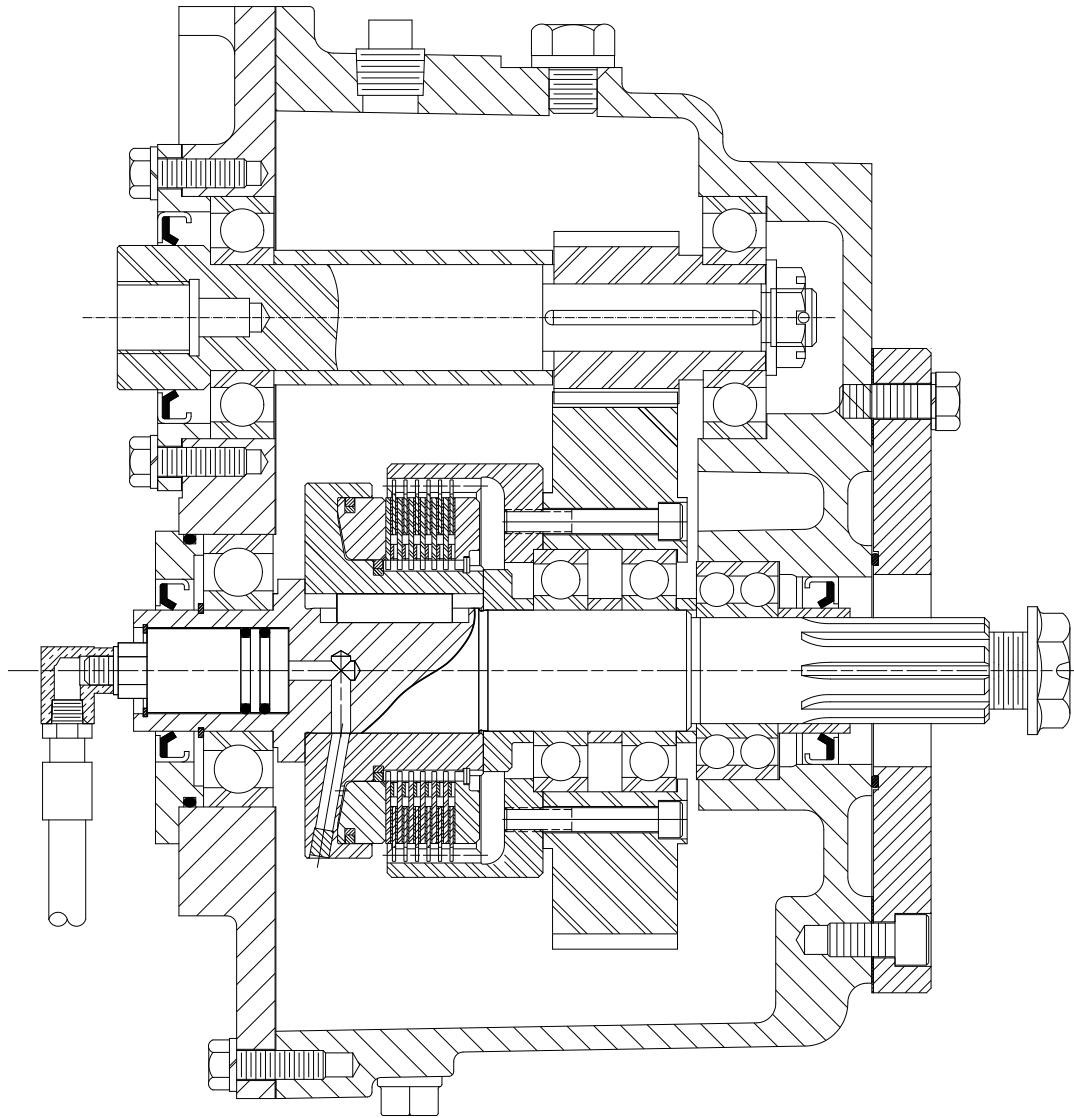
WATEROUS COMPANY
SOUTH ST. PAUL, MINNESOTA

MEDIUM DUTY KC TRANSMISSION ASSEMBLY

REF NO.	DESCRIPTION	REF NO.	DESCRIPTION
T117	Drive shaft spacer	T129	Flat washer, copper, 5/8 in.
T118	Ball bearing, single row	T130	O-ring, 2-3/4 x 3 in.
T119	Drive shaft spacer	T131	Cooling plate gasket
T120	Drive shaft spacer	T132	Cooling plate
T121	Magnetic pickup	T133	Lock washer, 7/16 in.
T123	O-ring, 5/8 x 3/4 in.	T134	Hex hd screw, 7/16-14 x 1-1/2 in.
T124	Oil seal, 1-1/2 x 2-3/8 in.	T135	Socket hd screw, 7/16-14 x 7/8 in.
T125	Tube connector, 1/8 x 1/4 in.	T136	O-ring, 3/4 x 7/8 in.
T127	Shaft and clutch assembly	T137	Flat washer, copper, 3/8 in.
T128	Hex hd screw, 5/8-18 x 1 in.		







SECTIONAL VIEW

MODEL CP3-500 MOUNTED MEDIUM DUTY KC TRANSMISSION