

POWER TAKE-OFF ASSEMBLY, MODEL TFA-7

REF NO.	DESCRIPTION	REF NO.	DESCRIPTION
2	Cover plate	35	Groove pin, type 67, 1/4 x 1-1/4 in.
3	Insert	36	Ball bearing
4	Drive shaft spacer	37	Spirol pin, 1/4 x 3/4 in.
5	Oil seal sleeve	38	Roll pin, 3/16 x 2-1/2 in.
6	Oil pump housing gasket	39	Bearing lock nut
7	Valve stem	40	Bearing lock washer
8	Lever	41	Cotter pin, SS, 1/8 x 1-3/4 in.
10	Bearing and oil seal housing	42	Spirol pin, SS, 3/16 x 1 in.
11	Oil spray tube	43	Sq. hd. pipe plug, 3/4 in
12	Oil pump housing	44	Street elbow, 90°, 3/4 in.
13	Bearing housing	45	Pipe nipple, 3/4 x 7 in.
16	Bearing and clutch valve housing	46	Pipe elbow, 90°, 3/4 in.
18	Oil seal hub	47	Lock washer, 5/16 in.
19	Shaft and clutch assembly, includes Ref. No. 107	48	End yoke w/U-bolts
20	Bearing and oil seal housing gasket	49	Shaft nut
22	Cap screw, 5/16-18 x 1/2 in.	50	Lube pump subassembly
23	Cap screw, 3/8-16 x 1-1/8 in., Grade 5	51	Oil pressure regulator
24	Cap screw, 3/8-16 x 1-1/4 in., Grade 5	52	Sight plug
25	Cap screw, 3/8-16 x 3 in., Grade 5	53	Breather
26	O-ring	54	Magnetic drain plug
29	O-ring	56	Extension spring
30	Oil seal	57	Oil strainer
31	Oil seal	58	Oil pump bushing
32	Lock washer, 3/8 in.	59	Oil pressure switch
34	Groove pin, type 67, 1/4 x 3/4 in.	60	Case assembly

PLEASE NOTE

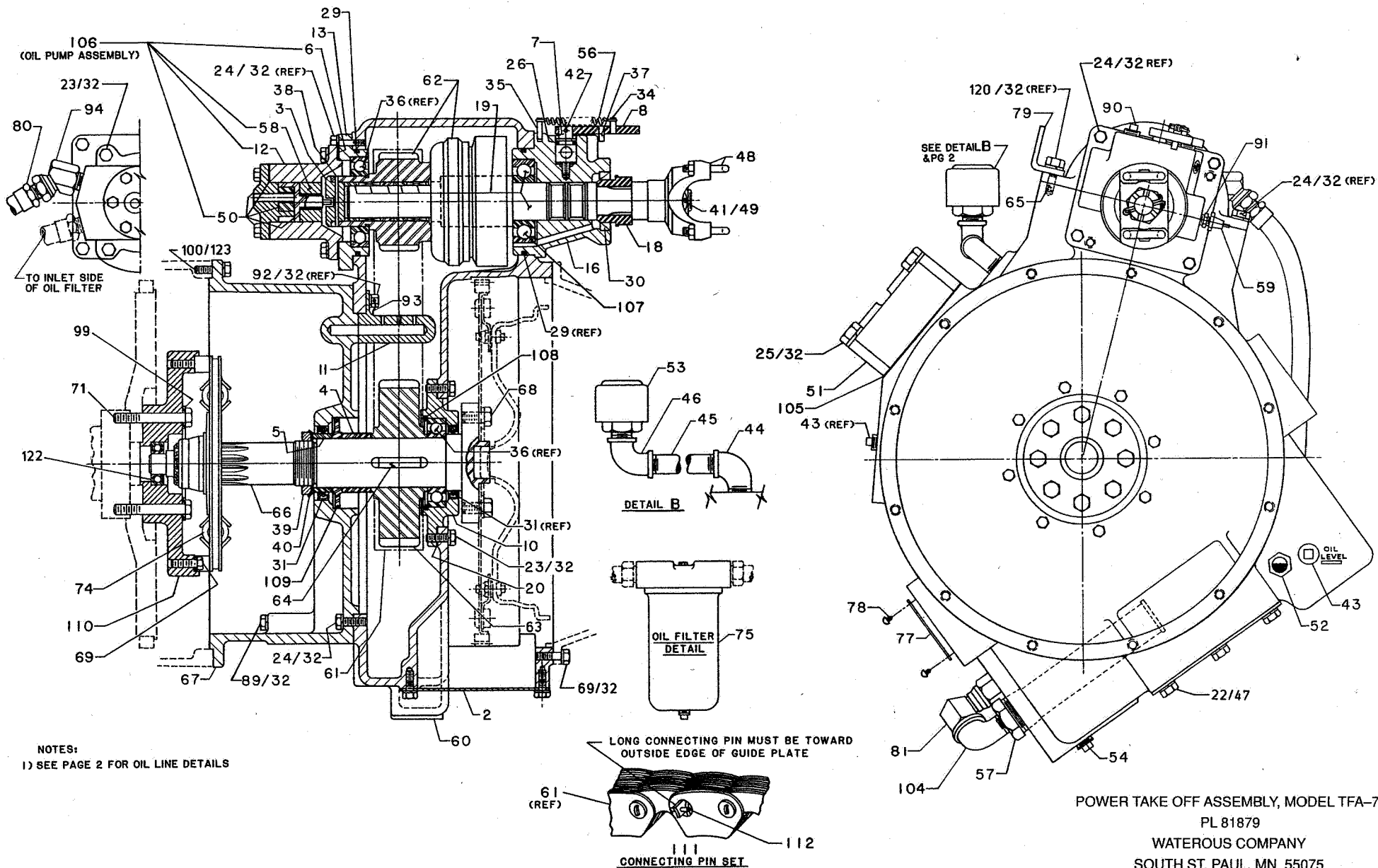
WHEN ORDERING PARTS PLEASE SUPPLY PTO SERIAL NUMBER

PL81879

Page 1 of 2

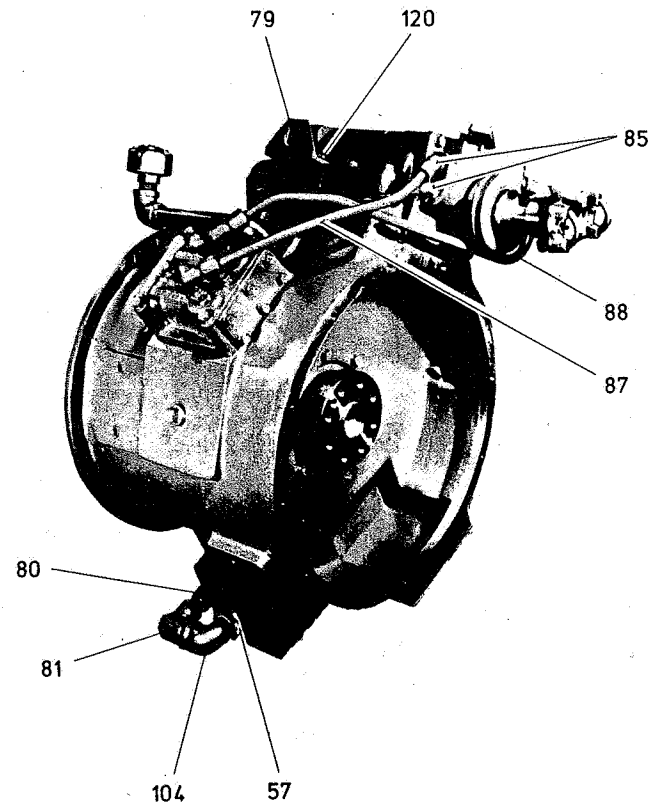
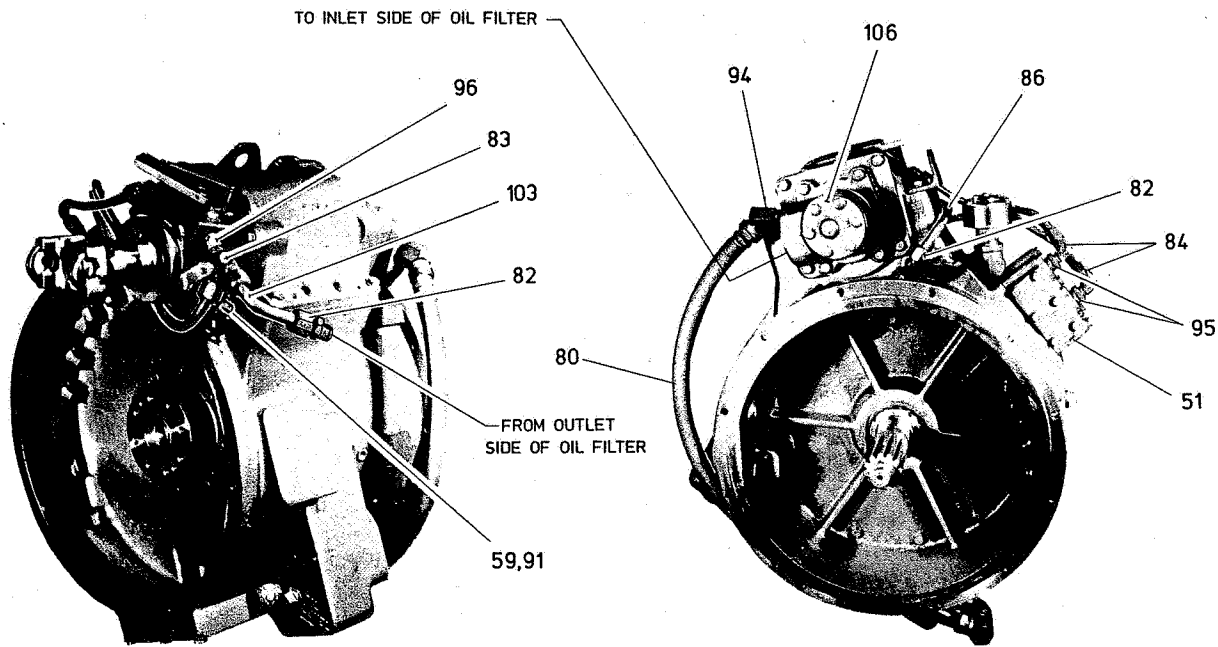
POWER TAKE-OFF ASSEMBLY, MODEL TFA-7

REF NO.	DESCRIPTION	REF NO.	DESCRIPTION
61	Chain	89	Cap screw, 3/8-16 x 5 in.
62	Sprocket and drum assembly	90	Sq. hd. pipe plug, 3/8 in.
63	Drive sprocket	91	Reducing bushing, 3/8 x 1/4 in.
64	Square key, 1/2 x 2-3/16 in.	92	Cap screw, 3/8-16 x 1-1/4 in., drilled head
65	Dowel pin, 3/8 x 1 in.	93	Safety wire
66	Drive shaft	94	Adapter, 45o, 3/4 in.
67	Engine adapter	95	Reducing bushing, 3/4 x 3/8 in.
68	Cap screw, SAE Grade 8, 1/2-13 x 1 in.	96	Pipe nipple, 3/8 x 1-1/2 in.
69	Cap screw, SAE Grade 8, 3/8-16 x 1-1/4 in.	99	Scuff plate
71	Cap screw, (metric) M12-1.25 x 80 MM, Grade 10.9	100	Cap screw, (metric) M10-1.5 x 30 MM, Grade 10.9
74	Drive plate	103	Tube elbow, 90°
75	Oil filter	104	Street elbow
77	Serial plate	105	Gasket - oil pressure regulator
78	Round head drive screw, No. 6 x 1/4 in.	106	Oil pump assembly, includes parts Ref. No. 6, 12, 50 and 58
79	Lifting lug	107	Ball bearing
80	Hose	108	Snap ring
81	Hose adapter, 90°, 3/4 in.	109	Spacer
82	Male connector, 1/2 tube x 3/8 NPT	110	Adapter
83	Female run tee, 1/2 tube x 3/8 NPT	111	Pin set, connecting (chain repairs)
84	Male elbow, 1/2 tube x 3/8 NPT, 90°	112	Spirol pin, heavy duty, SS, 1/16 x 1/4 in. (chain repairs)
85	Male elbow, 1/2 tube x 3/8 NPT, 45°	120	Cap screw, SAE Grade 8, 3/8-16 x 1-1/2 in.
86	Oil tube	122	Ball bearing
87	Oil tube	123	Lock washer (metric) 10 MM
88	Oil tube		



NOTES:
 1) SEE PAGE 2 FOR OIL LINE DETAILS

POWER TAKE OFF ASSEMBLY, MODEL TFA-7
 PL 81879
 WATEROUS COMPANY
 SOUTH ST. PAUL, MN 55075
 PAGE 1 OF 2



NOTE
1) SEE PAGE 1 FOR PTO DETAILS

POWER TAKE OFF ASSEMBLY, MODEL TFA-7

PL 81879

WATEROUS COMPANY

SOUTH ST. PAUL, MN 55075

PAGE 2 OF 2