

Issued: 06/86
Revised: 01/15/04

W A T E R O U S

WATEROUS COMPANY
SOUTH ST. PAUL, MINNESOTA

PB11G SERIES PORTABLE PUMPING UNIT

REF NO.	DESCRIPTION	REF NO.	DESCRIPTION
1	Drain cock	34	Hex hd screw, 7/16–20 x 2–3/4 in.
2	Serial plate	35	Lock washer, 7/16 in.
3	Round hd drive screw, No. 6 x 1/4 in.	36	Gear case gasket
4	Impeller nut, LH	37	Flat copper washer, 3/8 in.
5	Fender washer	39	Wear ring
6	Gear spacer	40	Mechanical seal
7	Lock washer, 5/16 in.	41	Impeller
9	O–ring	42	Clamping washer
10	Pressure gauge	43	Hex hd screw, 3/8–24 x 1–1/8 in.
11	Shaft sleeve	44	Volute body subassembly (includes 39)
12	O–ring	45	Gear case cover
13	Primer tube	46	Compression elbow, 90°
14	Compression connector, 1/4 NPT	47	Ball valve, 1/4 in.
15	Exhaust primer subassembly	48	Pipe nipple, 1/4 x 1–1/2 in.
16	Drive gear	49	Magnetic drain plug
19	Driven gear	50	Gear case subassembly (includes 2, 3, 52 & 113)
20	Hex hd screw, 1/4–20 x 3/4 in.	51	Needle bearing, inner race
21	Lock washer, 1/4 in.	52	Needle bearing
25	Hex lock nut, 1/4–20	53	11 HP engine replacement (includes 54, 94, 165, 166, 167 & 200)
26	Hex hd screw, 1/4–20 x 1–1/4 in.	54	Pump decal
27	Exhaust valve	55	Breather
28	Exhaust primer handle	56	Ball valve, 1 in.
30	Throttle control	57	Hex hd screw, 5/16–18 x 1–3/4 in.
31	Round hd machine screw, 10–24 x 1/2 in.	58	Rail base
32	Lock nut, 10–24	59	Hex hd screw, 3/8–16 x 1 in.
33	Square key, 3/16 x 1 in. SS		

PLEASE NOTE

WHEN ORDERING PARTS PLEASE SUPPLY PUMP SERIAL NUMBER

SPL81471

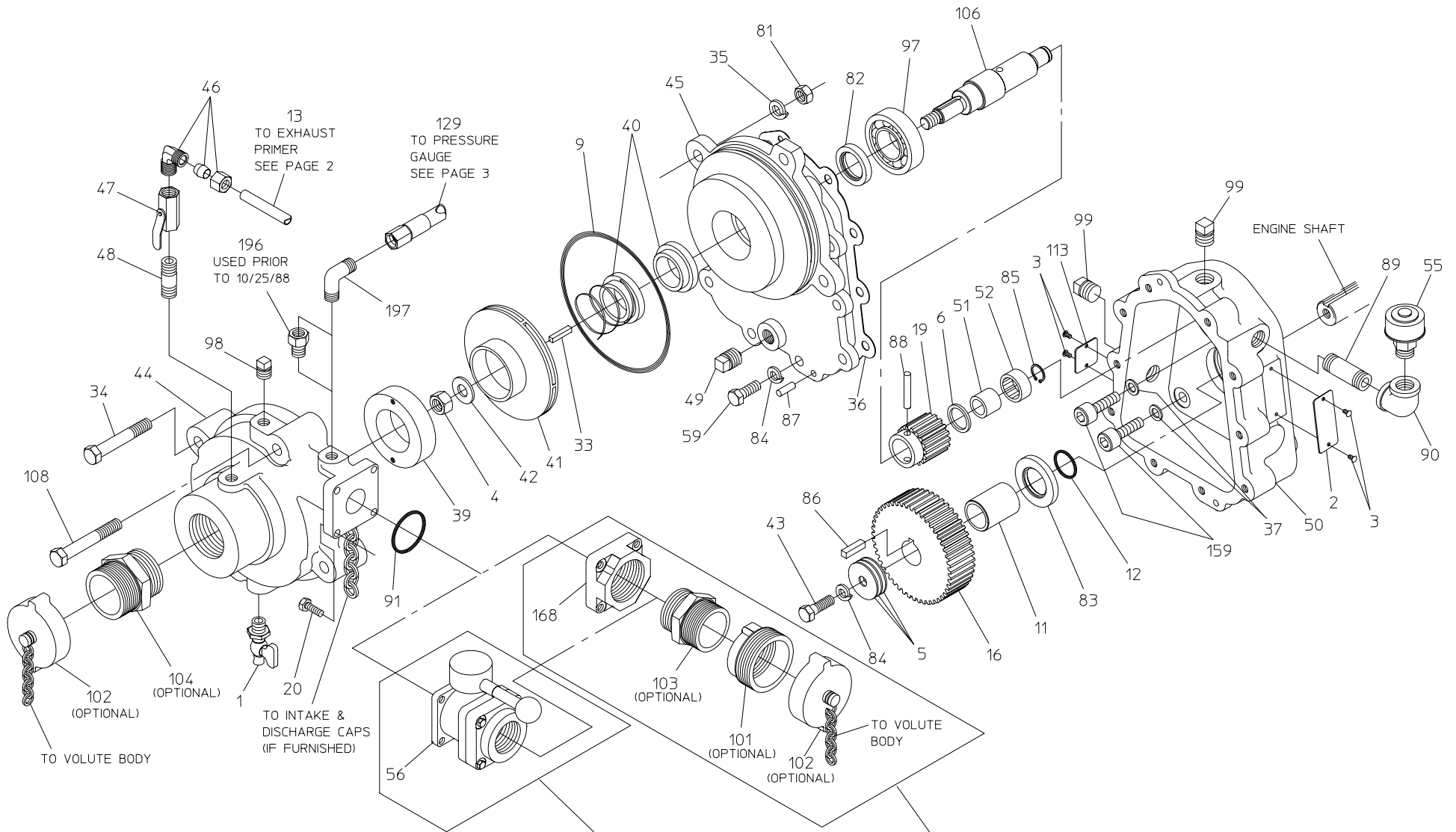
PAGE 1 OF 7

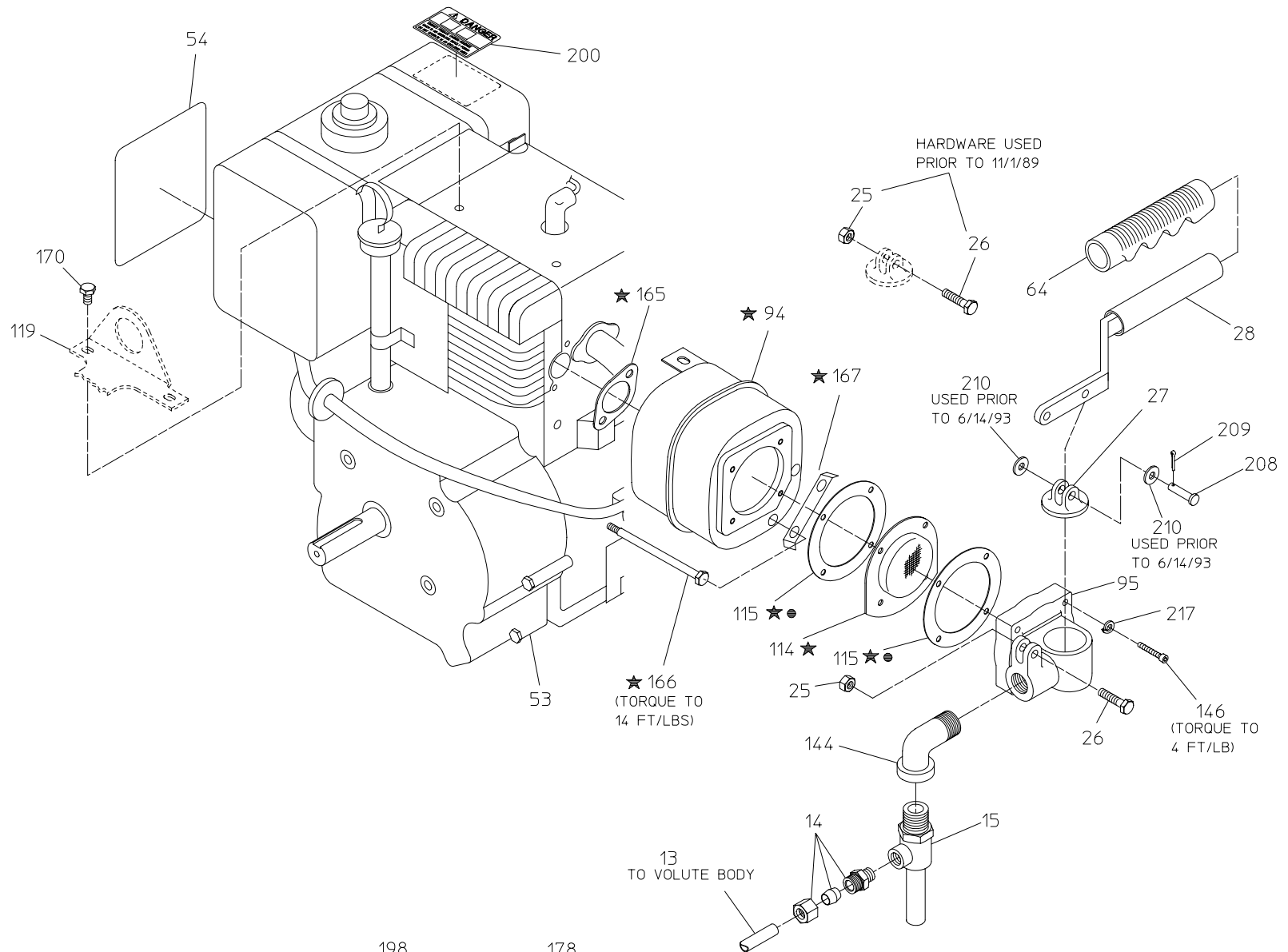
PB11G SERIES PORTABLE PUMPING UNIT

REF NO.	DESCRIPTION	REF NO.	DESCRIPTION
60	Hex nut, 5/16–18, SS	101	Discharge adapter, 1 in. NH x 1–1/2 in. NH
61	Lock nut, 1/4–20	102	Cap with chain
62	Rubber foot	103	Discharge adapter, 1 in. NPT x 1 in. NH, or 1 in. NPT x 1–1/2 in. NH
63	Round hd machine screw, 1/4–20 x 3/4 in.	104	Suction adapter, 1–1/2 in. NPT x 1–1/2 in. NH
64	Handle grip	106	Impeller shaft
65	Pick-up handle	108	Hex hd screw, 7/16–20 x 3 in.
66	Compression spring	109	Hex hd screw, 1/4–20 x 1 in.
69	Foot spacer	110	Litter base
70	Round hd machine screw, 1/4–20 x 2–1/4 in.	111	End frame
81	Hex nut, 7/16–20	112	Side frame
82	Oil seal	113	Oil level plate
83	Oil seal	114	Spark arrestor
84	Lock washer, 3/8 in.	115	Exhaust gasket (refer to 178 or 198)
85	Snap ring	119	Instrument panel
86	Square key, 1/4 x 1 in.	122	Wire subassembly, battery to ground, black
87	Dowel pin, 1/4 x 3/4 in.	129	Pressure gauge hose
88	Spirol pin, 1/4 x 1–1/2 in.	130	Alternator wire subassembly
89	Pipe nipple, 3/8 x 1–1/2 in.	135	Switch seal
90	Pipe elbow, 90o x 3/8 in.	137	Switch (start)
91	O-ring	139	Pipe elbow, 45°, 1/4 in.
92	Roll pin, 3/16 x 1–1/4 in., SS	144	Street elbow, 90°, 1/2 in.
94	Muffler (refer to 178)	146	Socket hd screw, 10–32 x 1–1/4 in.
95	Primer adapter	148	Battery holder
97	Ball bearing	149	Battery hold down
98	Pipe plug, 1/4 in.	151	Curved flange tee nut
99	Pipe plug, 3/8 in.		

PB11G SERIES PORTABLE PUMPING UNIT

REF NO.	DESCRIPTION	REF NO.	DESCRIPTION
159	Socket hd screw, 3/8-16 x 1-1/2 in.	188	Solenoid bracket
165	Exhaust gasket	189	Panel plate
166	Hex hd shoulder bolt	190	Switch (light)
167	Screw lock	191	Solenoid
168	Outlet adapter	192	Bulb, 12 volt, #68
170	Hex hd screw 1/4-20 x 1/2 in.	193	Panel light
171	Button plug	195	Hex nut, 1/4-20
178	Muffler replacement kit (includes 94, 114, 115, 165, 166 & 167)	196	Pipe bushing, 1/8 to 1/4 in. (used prior to 10/25/88)
180	Wire subassembly, battery to solenoid, red	197	Male elbow, 90°
181	Wire subassembly, solenoid to starter, red	198	Primer exhaust gasket kit (includes 115)
182	Wire subassembly, solenoid to start switch, red	200	Warning Label
183	Wire subassembly, start switch to light switch, red	208	Clevis pin, 1/4 x 1-1/4 in. (used prior to 6/14/93) 1/4 x 1 in. (used after 6/14/93)
184	Wire subassembly, light switch to light, red	209	Cotter pin, 5/64 x 1/2 in.
185	Wire subassembly, light to ground, black	210	Flat washer, 1/4 in. (used prior to 6/14/93)
186	Wire subassembly, start switch to solenoid, red	217	Lockwasher, No. 10



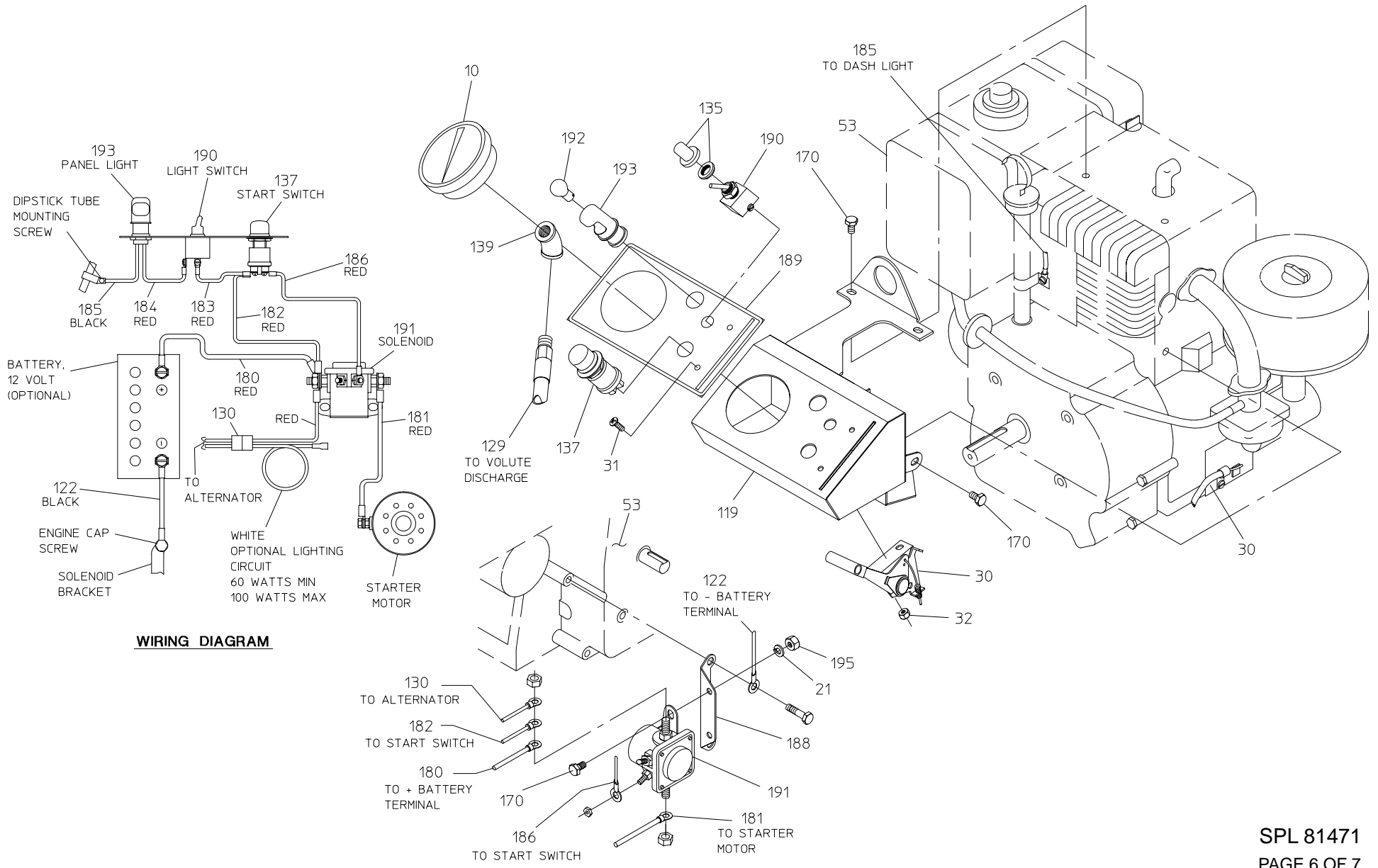


198
PRIMER EXHAUST
GASKET KIT

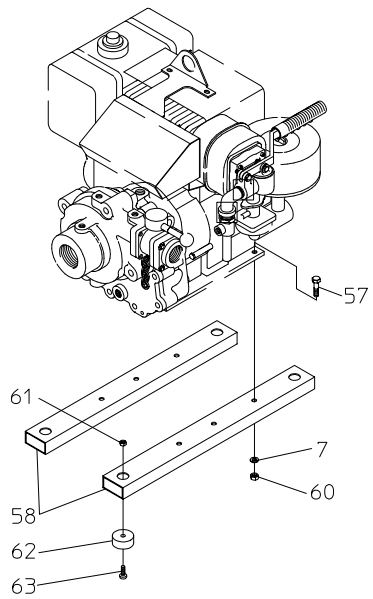
178
MUFFLER
KIT

● PART OF PRIMER EXHAUST
GASKET KIT 198.

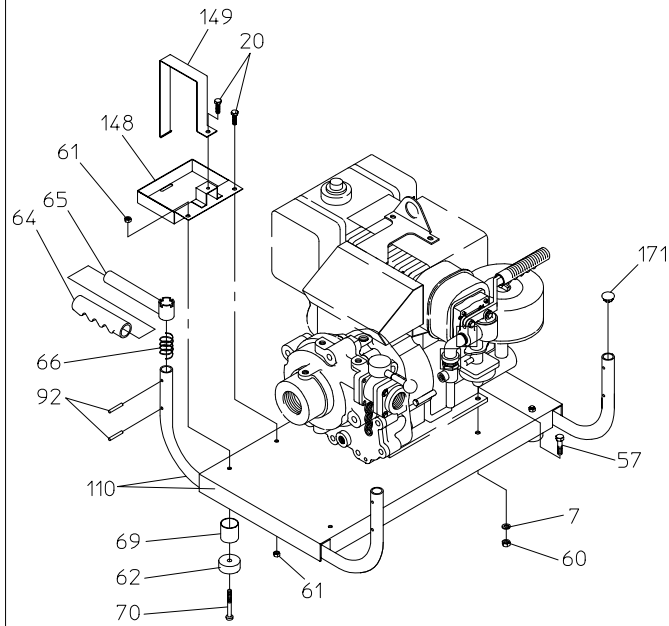
★ PART OF MUFFLER KIT 178.



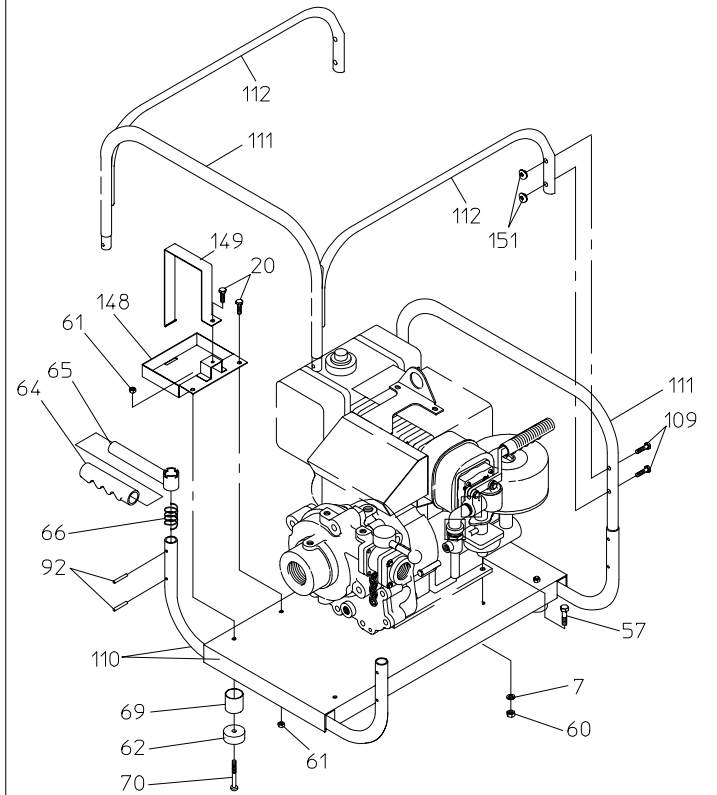
WIRING DIAGRAM



RAIL BASE



LITTER BASE



WRAP-AROUND BASE